



LED LIGHTING STRIPS



CM SERIES

COVE MOUNTING

LOW VOLTAGE STRIP

PHANTOM LIGHTING

The Phantom Elite CM Series LED Strip Lighting for Cove Lighting Applications represents a revolution in strip lighting technology. These low profile Cove lights measure as small as 3/4"W x 1/4"H, giving new definition to the phrase, "See the Light, Not the Fixture!" Custom mounting trims establish precise aiming angles thereby allowing flat, sloped or tray ceilings to be illuminated to a precise degree at the highest level of aesthetics yet to be seen. The Phantom Elite is constructed using the highest quality LED's in the industry. They are among the brightest strip lights on the market, emitting 67 lumens per foot. Strips are precut to desired length and can be custom fitted to any cove dimensions. Strips are completely dimmable and produce a quality of consistent color unmatched by competing products. Choices include 2700K, 3000K, and 4000K color temperature options. All Phantom Elite Series LED Strips operate on 24V magnetic power supplies.

THE PHANTOM ELITE SERIES COVE LIGHTS FEATURE

- 2700K, 3000K and 4000K Color Temperatures
- Precut to length of each straight run, up to 30ft. per Driver Feed
- Tight spacing for homogeneous light (LED's 0.67" on centers)
- 67 lumens per foot

NOTE: See also Elite Ultra for high intensity applications.



ETL LISTED, MISCELLANEOUS FIXTURES, CONFORMS TO UL STD. 1598



ORDERING INFORMATION

QTY.	SERIES	VERSION	COLOR TEMP	LENGTH	PROFILE	DRIVER	CONNECTOR	FINISH
	CM	ELITE	2700K 3000K 4000K	(INCHES)	E1 E2 E4 E5	MD20 20 WATT MD40 40 WATT MD60 60 WATT MD96 96 WATT MD150 150 WATT	LE END FEED (LEFT) RE END FEED (RIGHT) (WHEN FACING APPLICATION)	PAINTED METAL FW FLAT WHITE GW GLOSS WHITE FB FLAT BLACK GB GLOSS BLACK LB LIGHT BEIGE MB MEDIUM BROWN AL ALMOND UF UNFINISHED CC CUSTOM COLOR WOOD VENEER* O OAK M MAHOGANY P PINE W WALNUT
4	CM	ELITE	2700K	33"	E4	MD20	LE	MB

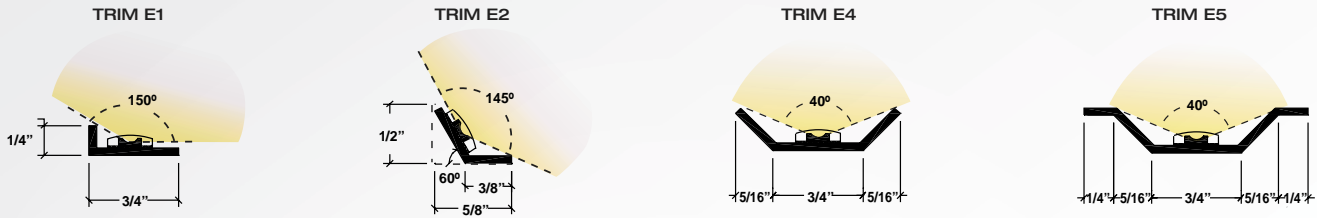
*NOTE: FOR TRIM E3 ONLY

EASY-TO-USE, DOWNLOADABLE ORDER FORMS WITH ACTIVE FORM FIELDS AT PHANTOMLIGHTING.COM



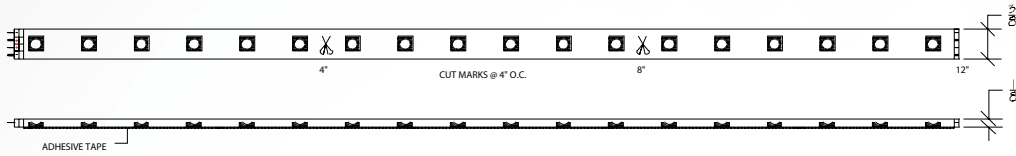
607 Durham Drive | Houston, Texas 77007-5316
 Tel: 713.863.1133 | Fax: 713.863.0044 | 800.863.1184
www.phantomlighting.com
 © Copyright 2013 Phantom Lighting Systems

CM ELITE SERIES TRIM PROFILES



LED STRIP

The Phantom LED Strip Light is a low profile integral tape with diode spacing 0.67 inches on centers, operating at 24VDC and 1.5 watts per foot. Available Color temperatures are 2700K (warm like household lighting), 3000K (Slightly cooler like Halogen), and 4000K (cool white). The 2700K tone coordinates well with most residential lighting, while the 3000K tone makes colors appear more vivid for display purposes. The crisp whiter tone of 4000K is often preferred for commercial displays of diamonds and crystal. Life expectancy of the diodes is rated at 50,000 hours. Unlike ordinary light bulbs, these strip lights are virtually heat-free. Dimming is accomplished with an ordinary Low Voltage dimmer, rather than specialized dimming driver.



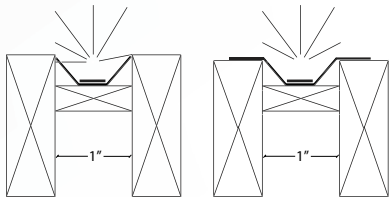
EXPLODED VIEW

Drivers

Magnetic drivers are sized to match the total wattage of your lighting load and come equipped with one or more secondary circuit breakers. (See driver sheet for more sizing information and amperage calculations).

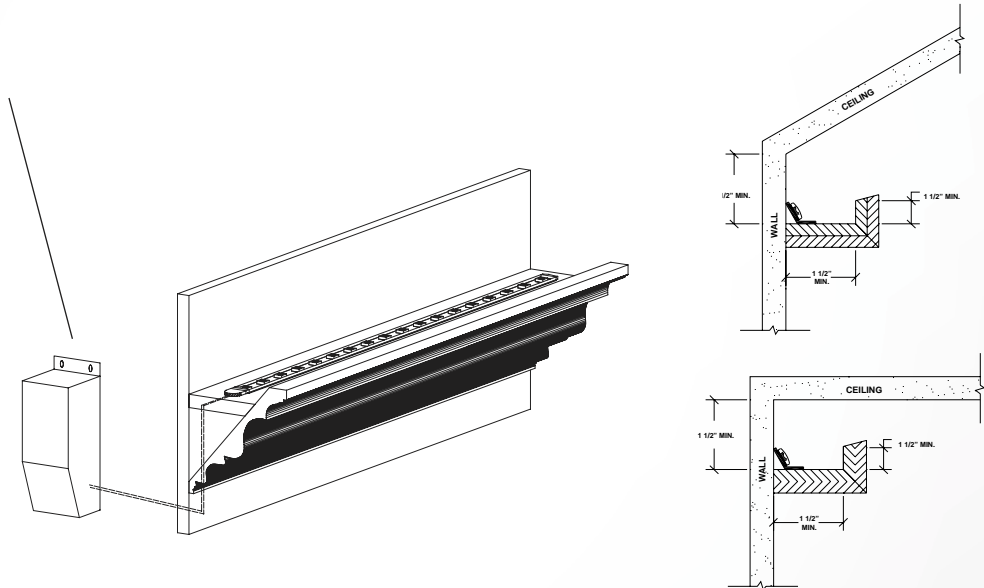
Dimmer Controls (by others)

Magnetic low voltage drivers should always be used with a dimmer designated for magnetic or inductive loads. Electronic drivers should always be used with a dimmer designated for electronic loads.



Beam/Truss Application

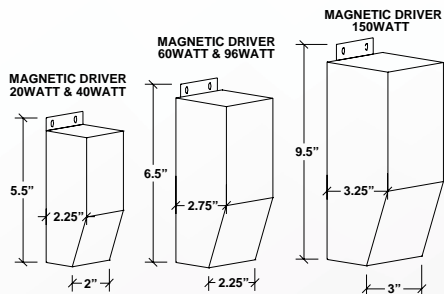
Phantom lighting strips may be installed in exposed beams or trusses by using Trim #5 for indirect lighting applications. Wood strips can be added between trusses to support the lighting strips or they may be routed directly into the tops of beams.



Space Requirements

To achieve continuous illumination CM Series strips require a 2" minimum clearance from the strip to any adjacent surface. Increase clearance to 5" for delicate materials.

DRIVERS



To figure total requirements for drivers, calculate total watts per foot divided by voltage equals total amperage. (watts / voltage = amperage). Refer to the table to calculate wire size and fusing requirements or see driver page for more specific details.

SPECIFICATIONS	20 VA	40 VA	60 VA	96 VA	150 VA
MAXIMUM WATTAGE	16	32	48	76	150
HEIGHT (H)	5.5"	5.5"	6.5"	6.5"	9.5"
WIDTH (W)	2.25"	2.25"	2.75"	2.75"	3.25"
DEPTH (D)	2"	2"	2.25"	2.25"	3"
24 VOLT (CB)	(1) 1A	(1) 2A	(1) 2.5A	(1) 4A	(1) 6.25A
WEIGHT (LBS)	1.8	1.8	2	2	5
PART #'s	MD20	MD40	MD60	MD96	MD150